

**Gas Discharge Tubes**

**H2R20-600xx**

**1: Applications**

- AC Power line N-PE applications
- Class I and Class II Surge protection



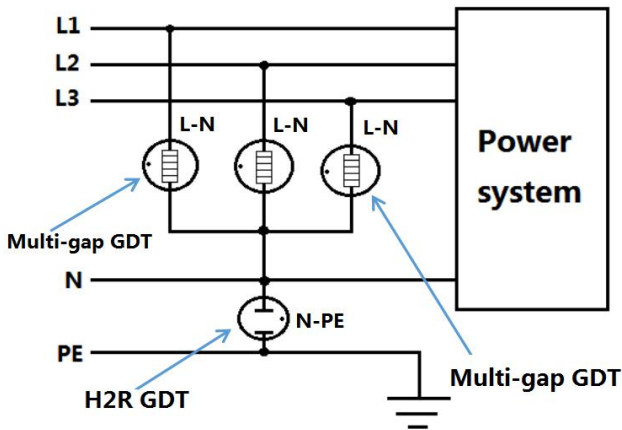
**2: Dimension in mm**



## Specification of H2R20-600xx

|   |                  |  |
|---|------------------|--|
| Dc spark-over voltage (100V/s) 1)   |                  | >450V  |
| Maximum impulse spark-over voltage @ 1KV/μs   |                  | 1400V  |
| Breakdown time  |                  | <100ns   |
| - typical values  |                  | <40ns  |
| Insulation resistance @DC250V   |                  | 1000MΩ   |
| Class I according to IEC 61643-11   |                  |  |
| Max continuous operating voltage at 50/60 Hz  | Uc               | 255V   |
| Nominal discharge current 8/20μs  | In               | 40KA   |
| Impulse current 10/350μs  | Iimp             | 12.5KA   |
| Class II according to IEC 61643-11  |                  |  |
| Max continuous operating voltage at 50/60 Hz  | Uc               | 255V   |
| Nominal discharge current 8/20μs  | In               | 40KA   |
| Maximum discharge current 8/20μs  | I <sub>max</sub> | 80KA   |
| capacitance at 1MHz   |                  | <5pF   |
| Weight  |                  | ~ 6g   |
| UL 1449 Certification<br>On the UL List   |                  |  |
| Delivery time   |                  | 20days   |
| Operation and storage temperature   |                  | -40°C ... +90°C                                  |
| Marking, Blue<br>1) At delivery AQL 0.65 level II Military Standard 105E.<br>2) In ionized mode<br>Test according to ITU-T Rec. K.12. | 2R600 YY         | 600 - Nominal voltage<br>YY - Year of production |

### 3:Application Figure



#### What can we do for our GDT?

- 1: We Can customize voltage: 230V,500V,800V...etc
- 2: We Can developed low impulse GDT
- 3: We Can customize  $U_c, I_n, I_{max}, I_{imp}, I_f, TOV$ .
- 4: We Can developed cut off follow current 100A within 1 cycle when passing zero under AC260V(50Hz)
- 5: We Can customize multi-gap GDT used in DC or AC(L-N) over voltage protection
- 6: We Can customize GDT shape, marking, special Lead wire
- 7: We Can surpass our GDT competitors, help you pass the GDT test project & improve the GDT you currently use.
- 8: We can provide fast GDT delivery, Solve your GDT delivery time problem
- 9: We can help you analyze the competitor's parameters and tell you our perfect replacement GDT part number.