

2-Line Ultra Low Capacitance TVS Diode Array

APPLICATION

- ◆ Cellular Handsets and Accessories
- ◆ Display Ports
- ◆ MDDI Ports
- ◆ USB 2.0 and 3.0 Ports
- ◆ HDMI 1.3 and 1.4
- ◆ Digital Visual Interface (DVI)
- ◆ PCI Express and Serial SATA Ports
- ◆ Notebook Computer



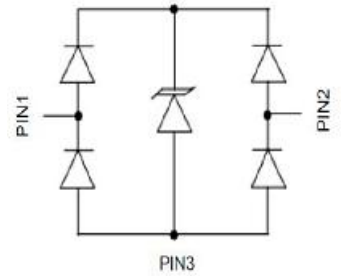
IEC COMPATIBILITY

Package: SOT-23

- ◆ IEC61000-4-2 (ESD) ± 25 kV (air), ± 20 kV (contact)
- ◆ IEC61000-4-4 (EFT) 40A (5/50ns)

FEATURES

- ◆ 300W peak pulse power (8/20us)
- ◆ Protects one bi-directional or two uni-directional line(s)
- ◆ Ultra low leakage: nA level
- ◆ Stand-off Voltage: 3.3 V ~ 36 V
- ◆ Ultra low clamping voltage



Electrical Characteristics

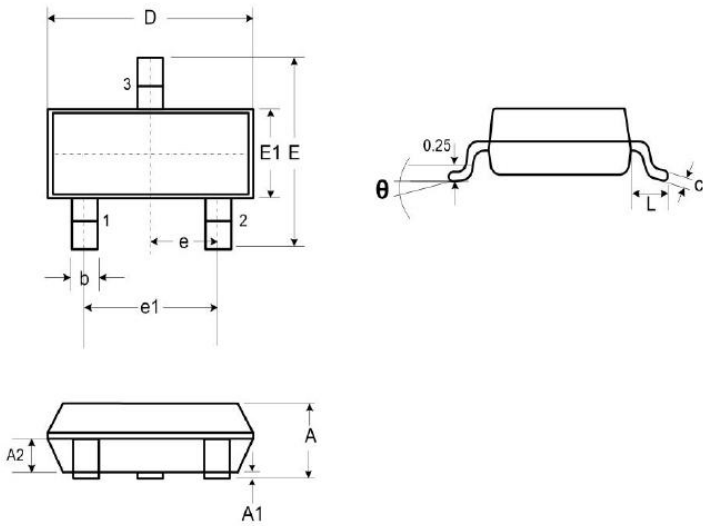
Parameter	Symbol	Value	Unit
Peak Pulse Power (tp=8/20μs waveform)	P _{ppp}	80	W
Peak Pulse Current (8/20μs)	I _{pp}	5	A
ESD per IEC 61000-4-2 (Air)	V _{ESD}	±25	kV
ESD per IEC 61000-4-2 (Contact)		±20	
Operating Temperature Range	T _J	-55 to +125	°C
Storage Temperature Range	T _{stg}	-55 to +150	°C

Electrical Characteristics

Part Number	VRWM	VBR	IR (max)	Co Max value	Vc @1A Max	Vc @ A Max	Ipp@8/20us	Ppp 8/20us	Delivery Time
	V	V	(uA)	pF	V	V	A max	W	Days
HAH0512S2	5	6.0	0.5	0.8	9	16	5	80	7days

2-Line Ultra Low Capacitance TVS Diode Array

Package Mechanical Data



SYM	DIMENSIONS					
	INCHES			MILLIMETERS		
	MIN	NOM	MAX	MIN	NOM	MAX
A	.035	-	.044	0.89	-	1.12
A1	.000	-	.004	0.01	-	0.10
A2	.035	.037	.040	0.88	0.95	1.02
b	0.012	-	.020	0.30	-	0.51
c	0.03	-	.007	0.08	-	0.18
D	.110	.114	.120	2.80	2.90	3.04
E	.082	.093	.104	2.10	2.37	2.64
E1	.047	.051	.055	1.20	1.30	1.40
e	.075			1.90		
e1	.037			0.95		
L	.015	.020	.024	0.40	0.50	0.60
L1	.022			0.55		
N	3			3		
θ	0°	-	8°	0°	-	8°

Ordering Information

Part Number	Qty per Reel	Reel Size	Package	Delivery Time
HAH0512S2	3000pcs	7inch	SOT-23	7days

Specifications are subject to change without notice

2

Tel: +86-755-27465585

HUAAN LIMITED

www.huaandz.com

Email: sales@huaandz.com