

2-Line Uni-directional TVS Diode Array

APPLICATION

- ◆ Cellular Handsets and Accessories
- ◆ Personal Digital Assistants
- ◆ Notebooks and Handhelds
- ◆ Portable Instrumentation
- ◆ Set Top Box
- ◆ Industrial Controls
- ◆ Server and Desktop PC



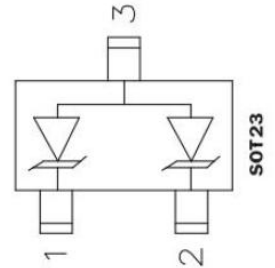
IEC COMPATIBILITY

Package: SOT-23

- ◆ IEC61000-4-2 (ESD) ±30kV (air), ±30kV (contact)
- ◆ IEC61000-4-4 (EFT) 40A (5/50ns)

FEATURES

- ◆ 300W peak pulse power (8/20us)
- ◆ Protects one bi-directional or two uni-directional line(s)
- ◆ Ultra low leakage: nA level
- ◆ Stand-off Voltage: 3.3 V ~ 36 V
- ◆ Ultra low clamping voltage



Electrical Characteristics

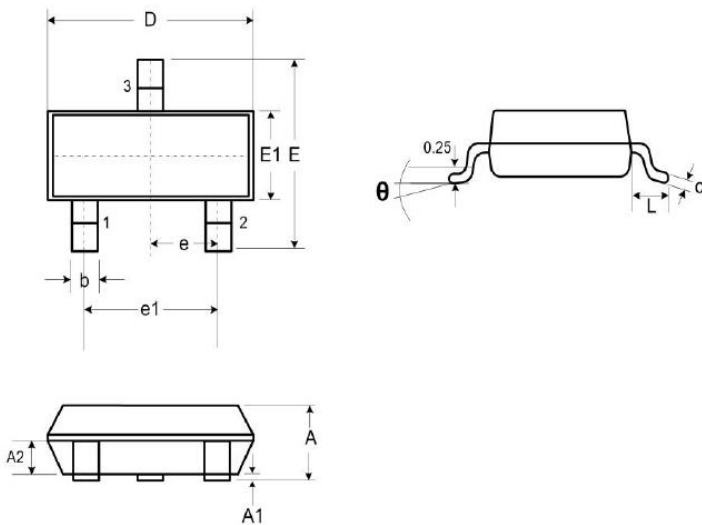
Parameter	Symbol	Value
Peak Pulse Power (8/20μs)	Ppk	300 W
ESD per IEC 61000-- (Air)	VESD	±30kV
ESD per IEC 61000-- (Contact)		±30kV
Operating Temperature Range	TJ	-55 to +125 °
Storage Temperature Range	Tstg	-55 to +150 °C

2-Line Uni-directional TVS Diode Array

Electrical Characteristics

Part Number	VRWM V	VBR V	IR (max) (uA)	Co Max value pF	Vc @1A Max V	Vc @ A Max V	Ipp@8/2 0us A max	Ppp 8/20us W	Delivery Time Days
HAN3312S2	3.3	4	1	240	7.5	14	25	300	7days
HAN0512S2	5	6.2	1	180	9.8	16.7	18	300	7days
HAN1212S2	12	13.3	1	60	19	25	12	300	7days
HAN1512S2	15	16.7	1	55	24	35	10	300	7days
HAN2412S2	24	26.7	1	36	35	55	5	300	7days
HAN3612S2	36	40	1	30	60	75	4	300	7days

Package Mechanical Data



SYM	DIMENSIONS					
	INCHES			MILLIMETERS		
	MIN	NOM	MAX	MIN	NOM	MAX
A	.035	-	.044	0.89	-	1.12
A1	.000	-	.004	0.01	-	0.10
A2	.035	.037	.040	0.88	0.95	1.02
b	0.012	-	.020	0.30	-	0.51
c	0.03	-	.007	0.08	-	0.18
D	.110	.114	.120	2.80	2.90	3.04
E	.082	.093	.104	2.10	2.37	2.64
E1	.047	.051	.055	1.20	1.30	1.40
e	.075			1.90		
e1	.037			0.95		
L	.015	.020	.024	0.40	0.50	0.60
L1	.022			0.55		
N	3			3		
theta	0°	-	8°	0°	-	8°

Ordering Information

Part Number	Qty per Reel	Reel Size	Package	Delivery Time
HANxx12S2	3000pcs	7inch	SOT-23	7days