

3-Line Low Capacitance TVS Diode Array

APPLICATION

- ◆ Video Line Protection
- ◆ Wireless Systems
- ◆ Ethernet 10BaseT
- ◆ I2C Bus Protection
- ◆ Portable Instrumentation
- ◆ LAN/WAN equipment
- ◆ High-Speed Data Lines
- ◆ Multi-Protocol Serial Transceivers
- ◆ ISDN S/T Interface



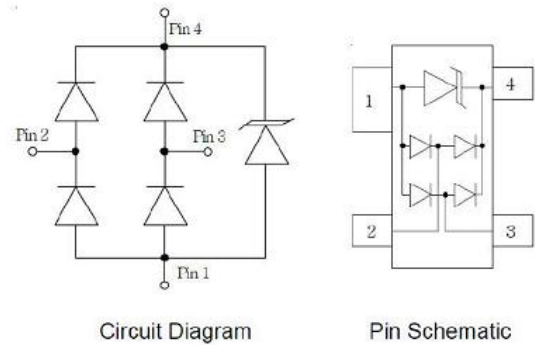
IEC COMPATIBILITY

Package: SOT-143

- ◆ IEC61000-4-2 (ESD) ±30kV (air), ±30kV (contact)
- ◆ IEC61000-4-4 (EFT) 40A (5/50ns)
- ◆ IEC61000-4-5 (Lightning) 10A-25A (8/20µs)

FEATURES

- ◆ 150W and 500W peak pulse power (8/20µs)
- ◆ Ultra low leakage: nA level
- ◆ Operating voltage: 3.3V-5V
- ◆ Low capacitance for high-speed data line
- ◆ Low clamping voltage



Electrical Characteristics

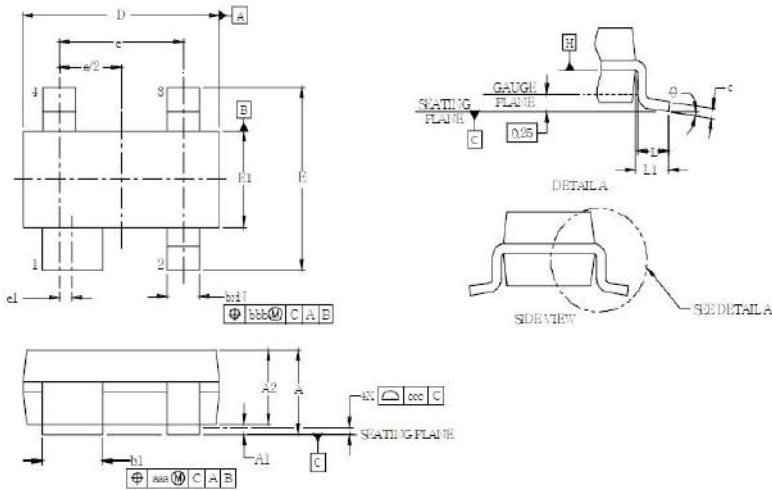
Parameter	Symbol	Value
ESD per IEC 61000--- (Air)	VESD	±30kV
ESD per IEC 61000--- (Contact)		±30kV
Operating Temperature Range	TJ	-55 to +125 °
Storage Temperature Range	Tstg	-55 to +150 °C

Electrical Characteristics

Part Number	VRWM	VBR	IR (max)	Co Max value	Vc @1A Max	Vc @ A Max	Ipp@8/20us	Ppp 8/20us	Delivery Time
	V	V	(uA)	pF	V	V	A max	W	Days
HAL3303S1	3.3	3.5	0.5	3.5	7	15	10	150	7days
HAL0503S1	5	6	0.5	6	9	20	25	500	7days

3-Line Low Capacitance TVS Diode Array

Package Mechanical Data



SYM	DIMENSIONS		
	MILLIMETERS		
	MIN	NOM	MAX
A	0.80	-	1.22
A1	0.013	-	0.15
A2	0.75	0.90	1.07
b	0.30	-	0.51
b1	0.76	-	0.94
c	0.08	-	0.20
D	2.80	2.90	3.04
E	2.10	2.37	2.64
E1	1.20	1.30	1.40
e	1.92BSC		
e1	0.20BSC		
L	0.40	0.50	0.60
L1	(0.54)		
N	4		
θ	0°	-	8°

Ordering Information

Part Number	Qty per Reel	Reel Size	Package	Delivery Time
HALxx03S1	3000pcs	7inch	SOT-143	7days

Specifications are subject to change without notice

2

Tel: +86-755-27465585

HUAAN LIMITED

www.huaandz.com

Email: sales@huaandz.com