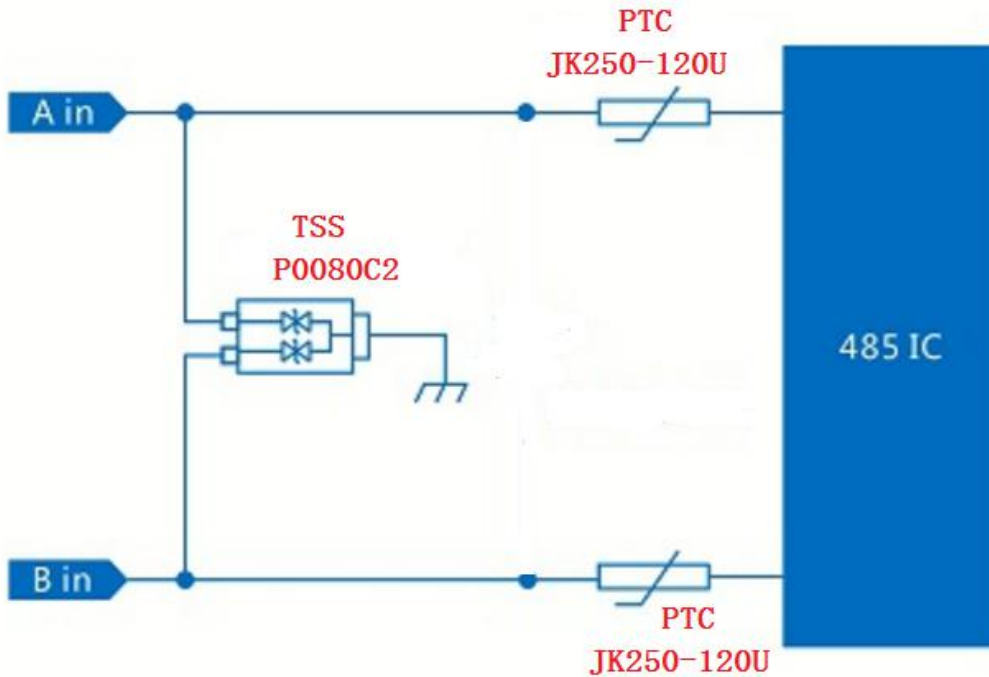


▼RS485 Solution:

Surge level: 10/700μs-5/320μs CM 6KV-150A



Specification.....

Part Number	V _{DRM} @I _{DRM} =5 μ A	V _S @100V/ μs	I _H	I _S	I _T	V _T @I _T =2.2Am ps	Capacitance @1MHz,2V bias	impulse withstand voltage	Package
TSS	V _{min}	V _{max}	mA _{min}	mA _{max}	A _{max}	V _{max}	pF	10/700us	
P0080C2	6	25	50	800	2.2	4	120	6KV	SMB

Part Number	V _{max}	I _{max}	I _h	R _{max}	R _{min}	P _d
PTC	V	A	A	Ω	Ω	w
JK250-120U	250	10	0.12	11	6	0.8

We focus on development, production,distribution of GDT,TSS.MOV,TVS,ESD TVS,PTC component.We have laboratories of EMC,aiming to provide total turnkey service of surge/ESD test and circuit PCB improvement.

sales@huaandz.com