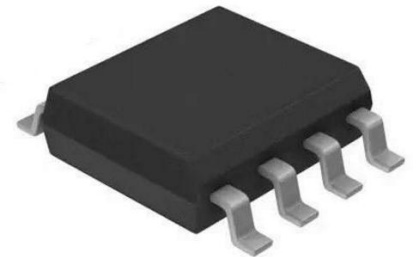
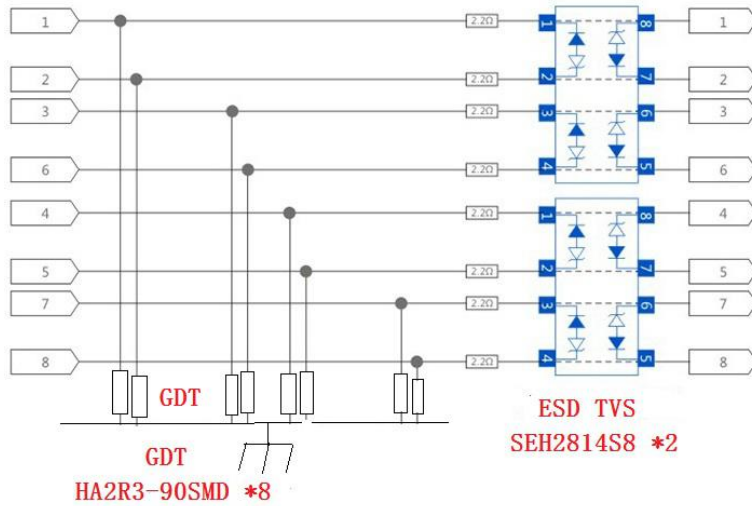


## ▼RJ45 Solution:

Surge level: 8/20μs CM/DM 2KA



## Specification.....

Part Number	VRWM	VBR	Co Typical value	Vc @1A	Ppp 8/20us	Package	ESD Air / Contact
<b>ESD TVS</b>	<b>V</b>	<b>V</b>	<b>pF</b>	<b>V<sub>max</sub></b>	<b>W</b>		
<b>SEH2814S8</b>	<b>2.8</b>	<b>3</b>	<b>1</b>	<b>5</b>	<b>400</b>	<b>SO-8</b>	<b>±30kV / ±30kV</b>

We focus on development, production,distribution of GDT,TSS.MOV,TVS,ESD,PTC component.We have laboratories of EMC,aiming to

Part Number	DC Spark-over Voltage @ 100V/S	Impulse Spark-over Voltage @1KV/μs	Insulation Resistanc e	Impulse discharge current(8/20μ s)	AC discharge current (50Hz,1s,10times )	Capaci tance (1MHz )	UL file number
<b>GDT</b>	<b>V</b>	<b>V</b>	<b>GΩ</b>	<b>10 Times</b>	<b>A</b>	<b>PF</b>	<b>√</b>
<b>HA2R3-90SMD</b>	<b>90±20%</b>	<b>≤ 1000</b>	<b>&gt;1</b>	<b>2KA</b>	<b>2</b>	<b>≤1</b>	<b>E505240</b>

provide total turnkey service of surge/ESD test and circuit PCB improvement.

[sales@huaandz.com](mailto:sales@huaandz.com)