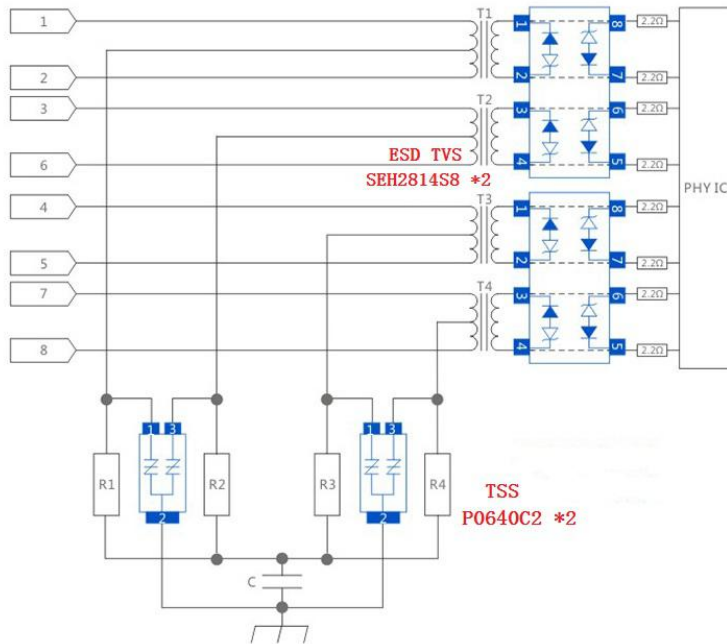


▼RJ45 Solution:

Surge level: 10/700μs CM/DM 6KV



Specification.....

| Part Number | V _{DRM} @I _{DRM} =5 μ A | V _S @100V/ μs | I _H | I _S | I _T | V _T @I _T =2.2Am ps | Capacitance @1MHz,2V bias | impulse withstand voltage | Package |
|----------------|---|--------------------------------|-------------------|-------------------|------------------|--|---------------------------------|---------------------------------|---------|
| TSS | V _{min} | V _{max} | mA _{min} | mA _{max} | A _{max} | V _{max} | pF | 10/700us | |
| P0640C2 | 58 | 77 | 150 | 800 | 2.2 | 4 | 120 | 6KV | SMB |

| Part Number | VRWM | VBR | Co Typical value | Vc @1A | Ppp 8/20us | Package | ESD Air / Contact |
|------------------|------------|----------|---------------------|------------------|---------------|-------------|----------------------|
| ESD TVS | V | V | pF | V _{max} | W | | |
| SEH2814S8 | 2.8 | 3 | 1 | 5 | 400 | SO-8 | ±30kV / ±30kV |

We focus on development, production, distribution of GDT, TSS, MOV, TVS, ESD TVS, PTC component. We have laboratories of EMC, aiming to provide total turnkey service of surge/ESD test and circuit PCB improvement.

sales@huaandz.com