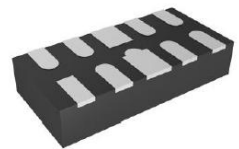
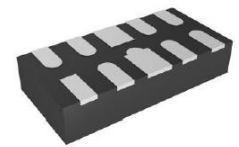
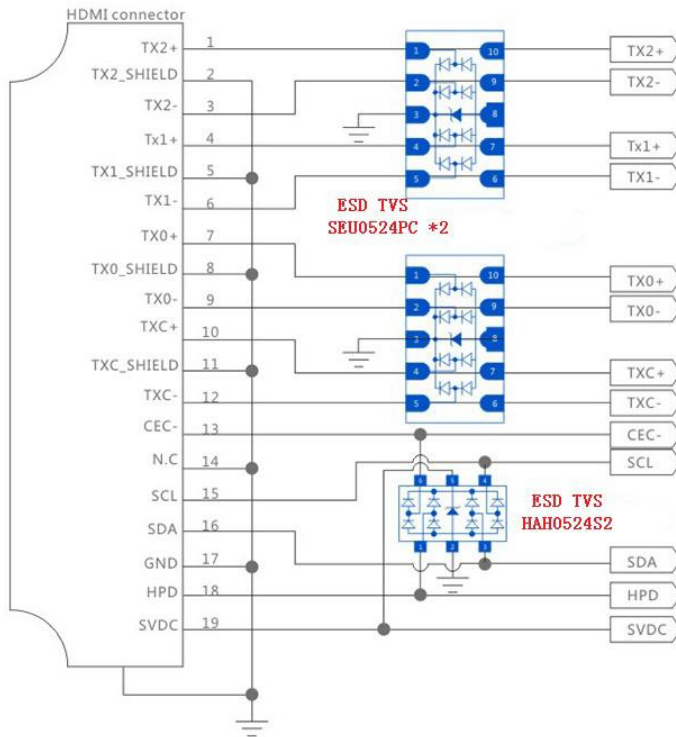


▼HDMI2.0 Solution:

Surge level: Contact 8KV Air 15KV



Specification.....

| Part Number | VRWM | VBR | Co Typical value | Vc @1A | Ppp 8/20us | Package | ESD Air / Contact |
|------------------|----------|----------|---------------------|------------------------|---------------|-------------------|----------------------|
| ESD TVS | V | V | pF | V_{max} | W | | |
| SEU0524PC | 5 | 6 | 1 | 9.0 | 100 | DFN2510-10 | ±8kV / ±15kV |

| Part Number | VRWM | VBR | Co Typical value | Vc @1A | Ppp 8/20us | Package | ESD Air / Contact |
|------------------|----------|----------|---------------------|------------------------|---------------|-----------------|----------------------|
| ESD TVS | V | V | pF | V_{max} | W | | |
| HAH0524S2 | 5 | 6 | 1 | 9.0 | 80 | SOT23-6L | ±10kV / ±15kV |

We focus on development, production,distribution of GDT,TSS.MOV,TVS,ESD,PTC component.We have laboratories of EMC,aiming to provide total turnkey service of surge/ESD test and circuit PCB improvement.

sales@huaandz.com