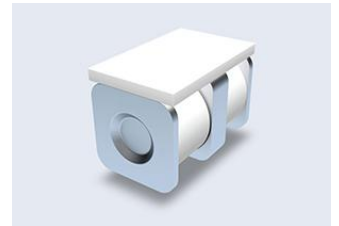
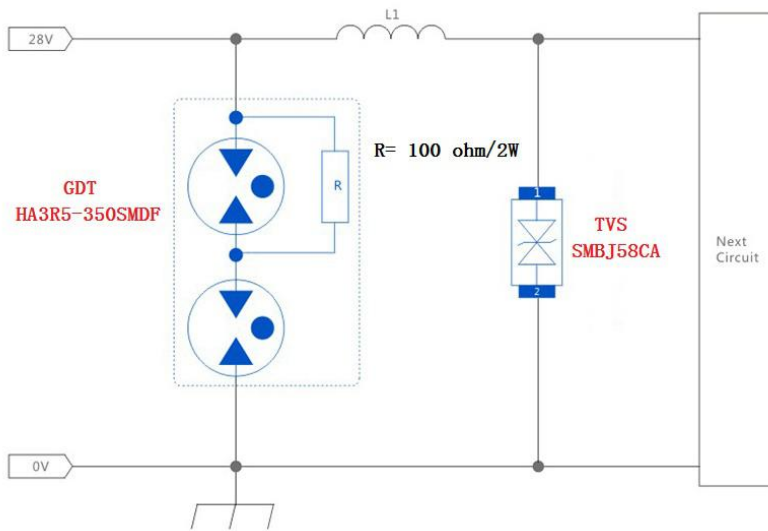


## ▼ AISG Power Solution:

Surge level: 8/20μs CM/DM 3KA



## Specification.....

Part Number	DC Spark-over Voltage@ 100V/S	Insulation Resistance	Impulse discharge current(8/20μs)	AC discharge current (50Hz,1s,10times)	Capacitance (1MHz)	Size	UL file number
<b>GDT</b>	V	GΩ	10 Times	A	PF	mm	√
<b>HA3R5-350SMD</b>	350V± 30%	>1	5KA	5	≤1	Φ5*7.8	<b>E505240</b>

Part Number	Vbr	Ir	Vrwm	Ipp	Vc	Package
<b>TVS</b>	V	uA	V	A	V	
<b>SMBJ58CA</b>	<b>64.4-71.2</b>	<b>1</b>	58	<b>6.4</b>	<b>93.6</b>	SMB

We focus on development, production,distribution of GDT,TSS.MOV,TVS,ESD TVS,PTC component.We have laboratories of EMC,aiming to provide total turnkey service of surge/ESD test and circuit PCB improvement.

[sales@huaandz.com](mailto:sales@huaandz.com)