

Gas Discharge Tubes

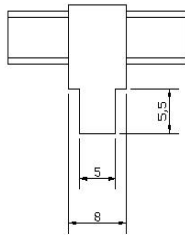
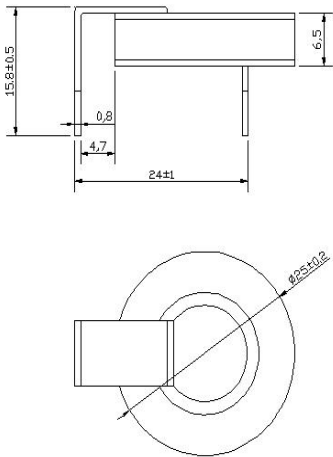
H2R25S-600L

1: Applications

- AC Power line N-PE applications
- Class I and Class II Surge protection



2: Dimension in mm



Specification of H2R25S-600L

Dc spark-over voltage (100V/s) 1)		600V ±20%
Maximum impulse spark-over voltage @ 1KV/μs 2)		<1400V
Breakdown time		<100ns
- typical values		<20ns
Insulation resistance @DC250V		1GΩ
Class I according to IEC 61643-11		
Max continuous operating voltage at 50/60 Hz	Uc	260V
Nominal discharge current 8/20μs	In	50KA
Impulse current 10/350μs	Iimp	25KA
Class II according to IEC 61643-11		
Max continuous operating voltage at 50/60 Hz	Uc	260V
Nominal discharge current 8/20μs	In	50KA
Maximum discharge current 8/20μs	I _{max}	100KA
capacitance at 1MHz		<25pF
Weight		~ 13.5g
UL 1449 Certification		Pending
Delivery time		20days
Operation and storage temperature		-40℃ ... +90℃
Marking, Blue		
1) At delivery AQL 0.65 level II Military Standard 105E.		
Approvals/ Standards EN61643-11	2R 600 YY	600 - Nominal voltage YY - Year of production

3:Application Figure



What can we do for our GDT?

- 1: We Can customize voltage: 230V,500V,800V...etc
- 2: We Can developed low impulse GDT
- 3: We Can customize $U_c, I_n, I_{max}, I_{lim}, I_f, TOV$.
- 4: We Can developed cut off follow current 100A within 1 cycle when passing zero under AC260V(50Hz)
- 5: We Can customize multi-gap GDT used in DC or AC(L-N) over voltage protection
- 6: We Can customize GDT shape, marking, special Lead wire
- 7: We Can surpass our GDT competitors, help you pass the GDT test project & improve the GDT you currently use.
- 8: We can provide fast GDT delivery, Solve your GDT delivery time problem
- 9: We can help you analyze the competitor's parameters and tell you our perfect replacement GDT part number.