


Metal Oxide Varistors (MOV)

Features

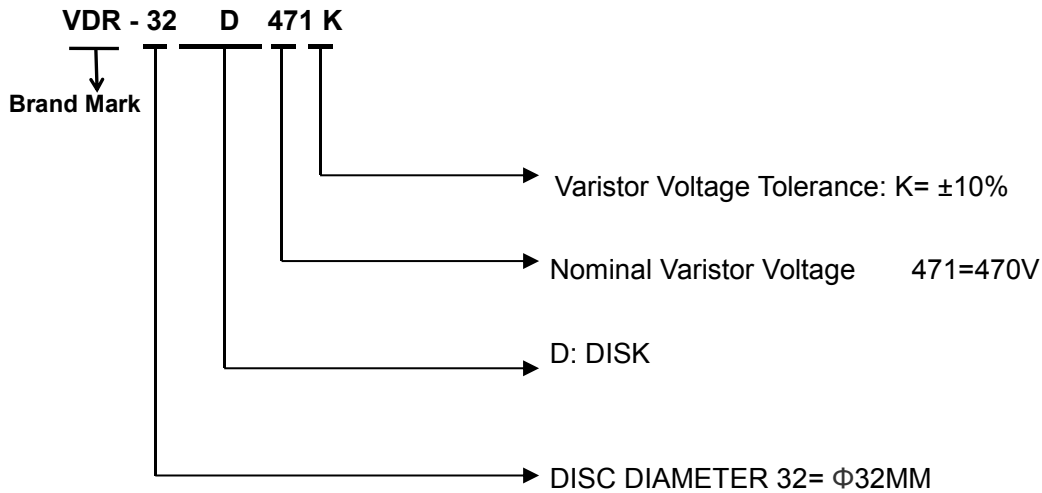
- Wide operating voltage (V1mA) range from 200V to 1800V
- Fast responding to transient over-voltage
- Large absorbing transient energy capability
- Low clamping ratio and no follow-on current-
- Meets MSL level 1, per J-STD-020
- Operating Temperature: -40°C ~ +85°C
- Storage Temperature: -40°C ~ +125°C
- UL 1449 4th for SPD Type 5 application
- Safety certification: 



Applications

- Transistor, diode, IC, thyristor or triac semiconductor protection
- Surge protection in consumer electronics
- Surge protection in industrial electronics
- Surge protection in electronic home appliances, gas and petroleum appliances
- Relay and electromagnetic valve surge absorption

Description of Part Number



Delivery Time

Standard MOV	Delivery Time
VDR-32D201K~VDR-32D182K	24days

Electrical Characteristics

Part Number	Maximum Allowable Voltage		Varistor Voltage V _{1mA} (V)	Maximum Clamping Voltage		Max Surge Current 8/20μs I _{max}	Surge Operating Duty Test IEC 61643-11 (8/20μs)		Maximum Energy 10/1000μs J	Safety Certification	
	AC	DC		I _p (A)	V _c (V)		I _{max}	I _n		UL	CUL
	Standard MOV										
VDR-32D201K	130V	170V	200(180~220)	200	340	30KA	30KA	15KA	250	√	√
VDR-32D221K	140V	180V	220(198~242)	200	360	30KA	30KA	15KA	270	√	√
VDR-32D241K	150V	200V	240(216~264)	200	395	30KA	30KA	15KA	290	√	√
VDR-32D271K	175V	225V	270(243~297)	200	455	30KA	30KA	15KA	300	√	√
VDR-32D301K	190V	250V	300(270~330)	200	500	30KA	30KA	15KA	330	√	√
VDR-32D331K	210V	275V	330(297~363)	200	550	30KA	30KA	15KA	360	√	√
VDR-32D361K	230V	300V	360(324~396)	200	595	30KA	30KA	15KA	380	√	√
VDR-32D391K	250V	320V	390(351~429)	200	650	30KA	30KA	15KA	400	√	√
VDR-32D431K	275V	350V	430(387~473)	200	710	30KA	30KA	15KA	430	√	√
VDR-32D471K	300V	385V	470(423~517)	200	775	30KA	30KA	15KA	460	√	√
VDR-32D511K	320V	415V	510(459~561)	200	845	30KA	30KA	15KA	510	√	√
VDR-32D561K	350V	460V	560(504~616)	200	925	30KA	30KA	15KA	540	√	√
VDR-32D621K	385V	505V	620(558~682)	200	1025	30KA	30KA	15KA	570	√	√
VDR-32D681K	420V	560V	680(612~748)	200	1120	30KA	30KA	15KA	600	√	√
VDR-32D751K	460V	615V	750(675~825)	200	1240	30KA	30KA	15KA	620	√	√
VDR-32D781K	485V	640V	780(702~858)	200	1290	30KA	30KA	15KA	660	√	√
VDR-32D821K	510V	670V	820(738~902)	200	1355	30KA	30KA	15KA	700	√	√
VDR-32D911K	550V	745V	910(819~1001)	200	1500	30KA	30KA	15KA	750	√	√
VDR-32D102K	625V	825V	1000(900~1100)	200	1650	30KA	30KA	15KA	780	√	√
VDR-32D112K	680V	895V	1100(990~1210)	200	1815	30KA	30KA	15KA	810	√	√
VDR-32D122K	750V	990V	1200(1080~1320)	200	1980	30KA	30KA	15KA	910	√	√
VDR-32D142K	880V	1140V	1400(1260~1540)	200	2310	30KA	30KA	15KA	960	√	√
VDR-32D162K	1000V	1280V	1600(1440~1760)	200	2640	30KA	30KA	15KA	1020	√	√
VDR-32D182K	1100V	1465V	1800(1620~1980)	200	2970	30KA	30KA	15KA	1080	√	√

Dimension(mm) Electrode Plate

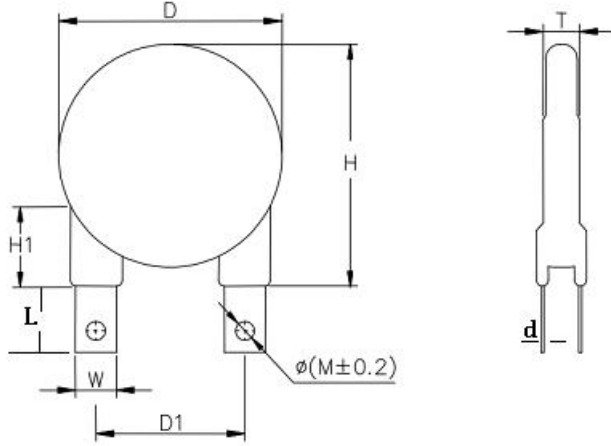


TABLE1

TABLE2

Symbol	Dimensions	Part number	T	Part number	T
D(Max)	34.0mm	VDR-32D201K	3.3mm	VDR-32D621K	5.6mm
H	35.0mm	VDR-32D221K	3.4mm	VDR-32D681K	5.6mm
M	$\Phi 3.0\text{mm}$	VDR-32D241K	3.5mm	VDR-32D751K	5.7mm
L(Min)	15.5mm	VDR-32D271K	3.7mm	VDR-32D781K	6.0mm
D1(± 0.8)	25.0mm	VDR-32D301K	3.9mm	VDR-32D821K	6.4mm
T	TABLE2	VDR-32D331K	4.0mm	VDR-32D911K	6.9mm
H1	14.0mm	VDR-32D361K	4.2mm	VDR-32D102K	7.0mm
d(± 0.05)	0.5mm	VDR-32D391K	4.3mm	VDR-32D112K	7.7mm
		VDR-32D431K	4.5mm	VDR-32D122K	10.2mm
		VDR-32D471K	4.8mm	VDR-32D142K	10.7mm
		VDR-32D511K	5.0mm	VDR-32D162K	11.2mm
		VDR-32D561K	5.4mm	VDR-32D182K	11.7mm

Packing Information

Part Number	Quantity	Packaging Option
VDR-32D201K ~ VDR-32D561K	60PCS	Foam box
VDR-32D621K ~ VDR-32D182K	40PCS	Foam box