

6600W Transient Voltage Suppressors

TVS Diodes - 6600W > SM8S Series



Features

- High current transient suppressor
- Glass passivated junction
- Low leakage current
- Excellent Clamping capability.
- 6600w peak pulse power capability and 10/1000uS waveform
- meets ISO7637-2 5A Surge specification
- meets AEC-Q101 requirement.



Package: DO-218AB

Applications

- Auto DC12V Power Supply
- Auto DC24V Power Supply

Electrical Characteristics

Parameter	Symbol	Value	Unit
Peak Pulse Power Dissipation at TA=25°C by 10x1000µs waveform	PPPM	6600	Watts
Peak Pulse Power Dissipation at TA=25°C by 10x10000µs waveform	PPPM	5200	Watts
Peak pulse current of at 10/1000µs waveform (Note 1, Fig.3)	IPPM	See Table	Amps
Power dissipation on infinite heat Sink at TC=25°C	PD	8.0	Watts
Peak forward surge current, 8.3 ms single half sine-wave	IFSM	700	Amps
Operating junction and storage temperature range	TJ, TSTG	-55 to +150	°C

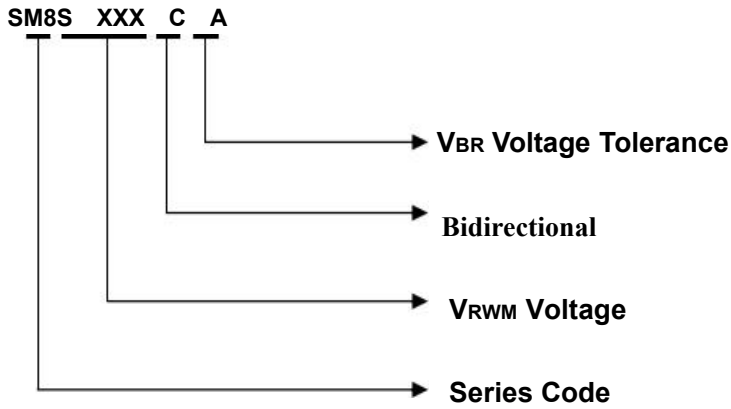
Notes:

1. Non-repetitive current pulse, per Fig.3 and derated above TA=25°C per Fig. 2.

Electrical Characteristics (TA=25°C)

Part	Number	V _R	V _{BR} (V)@I _T		I _T	V _C @I _{PP}	I _{PP}	I _R @V _R	I _R @V _R	Delivery Time
			V	Min						
SM8S10A	SM8S10CA	10.0	11.1	12.3	5	17.0	388	5	250	15days
SM8S11A	SM8S11CA	11.0	12.2	13.5	5	18.2	363	5	150	15days
SM8S12A	SM8S12CA	12.0	13.3	14.7	5	19.9	332	5	150	15days
SM8S13A	SM8S13CA	13.0	14.4	15.9	5	21.5	307	5	150	15days
SM8S14A	SM8S14CA	14.0	15.6	17.2	5	23.2	284	5	150	15days
SM8S15A	SM8S15CA	15.0	16.7	18.5	5	24.4	270	5	150	15days
SM8S16A	SM8S16CA	16.0	17.8	19.7	5	26.0	253	5	150	15days
SM8S17A	SM8S17CA	17.0	18.9	20.9	5	27.6	239	5	150	15days
SM8S18A	SM8S18CA	18.0	20.0	22.1	5	29.2	226	5	150	15days
SM8S20A	SM8S20CA	20.0	22.2	24.5	5	32.4	204	5	150	15days
SM8S22A	SM8S22CA	22.0	24.4	26.9	5	35.5	186	5	150	15days
SM8S24A	SM8S24CA	24.0	26.7	29.5	5	38.9	170	5	150	15days
SM8S26A	SM8S26CA	26.0	28.9	31.9	5	42.1	157	5	150	15days
SM8S28A	SM8S28CA	28.0	31.1	34.4	5	45.4	145	5	150	15days
SM8S30A	SM8S30CA	30.0	33.3	36.8	5	48.4	136	5	150	15days
SM8S32A	SM8S32CA	32.0	35.5	39.4	5	51.4	128.5	5	150	15days
SM8S33A	SM8S33CA	33.0	36.7	40.6	5	53.3	124	5	150	15days
SM8S36A	SM8S36CA	36.0	40.0	44.2	5	58.1	114	5	150	15days
SM8S40A	SM8S40CA	40.0	44.4	49.1	5	64.5	102	5	150	15days
SM8S43A	SM8S43CA	43.0	47.8	52.8	5	69.4	95.1	5	150	15days

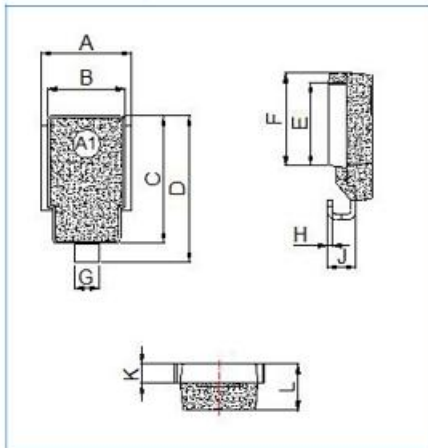
Description of Part Number



Packing Options

Package	Description	Packing Quantity	Industry Standard
DO-218AB	Embossed Carrier Reel Pack	750PCS	EIA-481-1

Dimensions - DO-218AB



Ref.	Dimensions			
	Inches		Millimeters	
	Min.	Max.	Min.	Max.
A	0.374	0.413	9.5	10.5
B	0.327	0.342	8.3	8.7
C	0.524	0.539	13.3	13.7
D	0.592	0.628	15.0	16.0
E	0.335	0.358	8.5	9.1
F	0.374	0.398	9.5	10.1
G	0.094	0.118	2.4	3.0
H	0.020	0.028	0.5	0.7
J	0.106	0.146	2.7	3.7
K	0.075	0.083	1.9	2.1
L	0.185	0.201	4.7	5.1