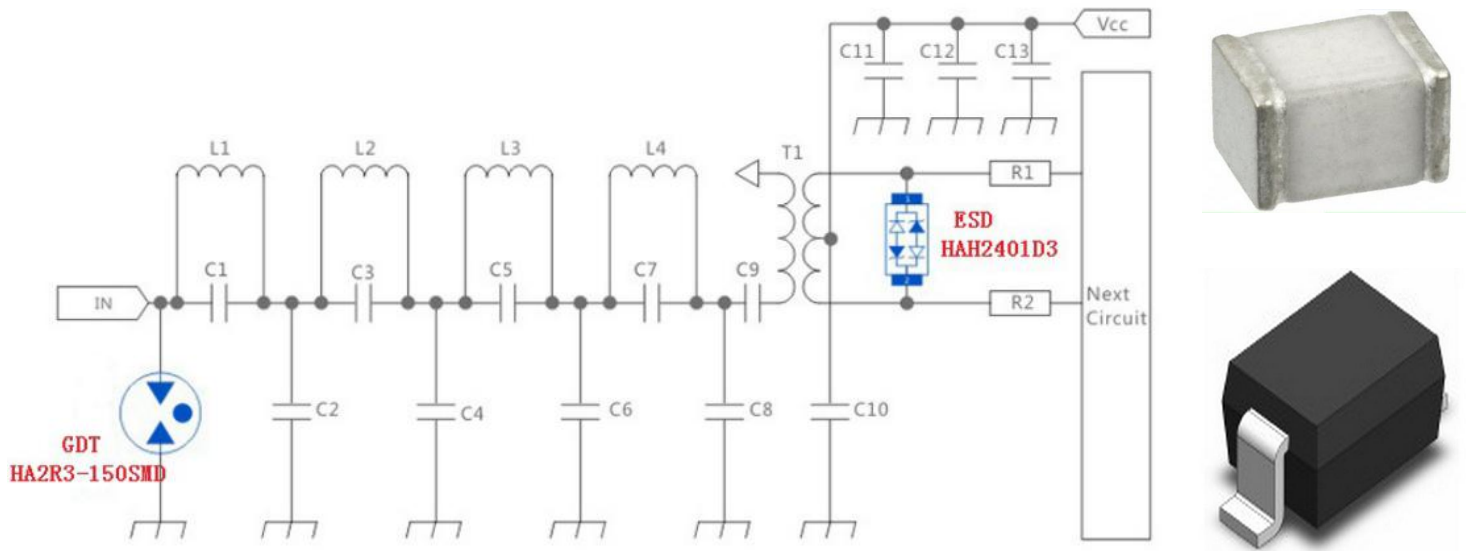


## ▼ Coaxial Solution:

Surge level: 8/20μs CM 4KV-2KA



## Specification.....

Part Number	DC Spark-over Voltage@ 100V/S	Impulse discharge current(8/20μs)	AC discharge current (50Hz,1s,10times)	Capacitance (1MHz)	Size	UL file number
<b>GDT</b>	V	10 Times	A	PF	mm	✓
<b>HA2R3-150SMD</b>	150V± 20%	2KA	2	≤1	4.5*3.2*2.7	<b>E505240</b>

Part Number	VRWM	VBR	Co Typical value	Vc @1A	Ppp 8/20us	Package	ESD Air / Contact
<b>ESD TVS</b>	V	V	pF	V <sub>max</sub>	W		
<b>HAH2401D3</b>	<b>24</b>	<b>26.7</b>	<b>1</b>	<b>43</b>	<b>350</b>	<b>SOD-323</b>	<b>±8kV / ±15kV</b>

We have laboratories of EMC,aiming to provide total turnkey service of surge/ESD test and circuit PCB improvement.

[sales@huaandz.com](mailto:sales@huaandz.com)