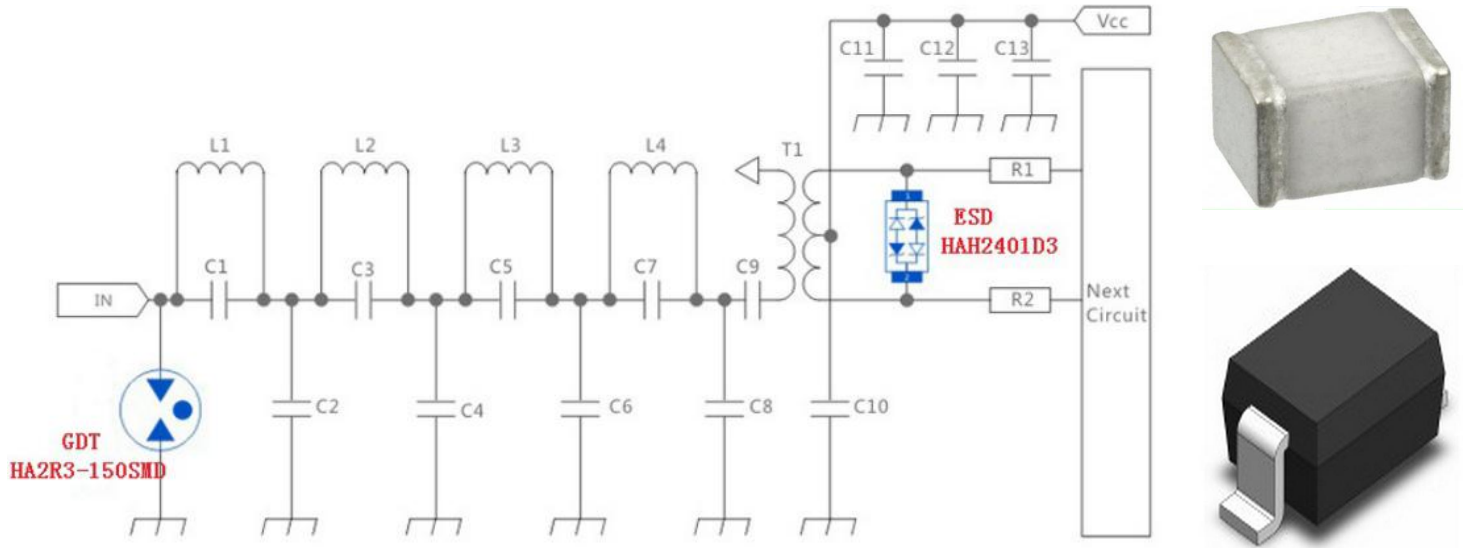


▼ Coaxial Solution:

Surge level: 8/20μs CM 4KV-2KA



Specification.....

| Part Number | DC Spark-over Voltage@ 100V/S | Impulse discharge current(8/20μs) | AC discharge current (50Hz,1s,10times) | Capacitance (1MHz) | Size | UL file number |
|---------------------|-------------------------------|-----------------------------------|--|--------------------|-------------|----------------|
| GDT | V | 10 Times | A | PF | mm | ✓ |
| HA2R3-150SMD | 150V± 20% | 2KA | 2 | ≤1 | 4.5*3.2*2.7 | E505240 |

| Part Number | VRWM | VBR | Co Typical value | Vc @1A | Ppp 8/20us | Package | ESD Air / Contact |
|------------------|-----------|-------------|------------------|------------------|------------|----------------|---------------------|
| ESD TVS | V | V | pF | V _{max} | W | | |
| HAH2401D3 | 24 | 26.7 | 1 | 43 | 350 | SOD-323 | ±8kV / ±15kV |

We have laboratories of EMC,aiming to provide total turnkey service of surge/ESD test and circuit PCB improvement.

sales@huaandz.com