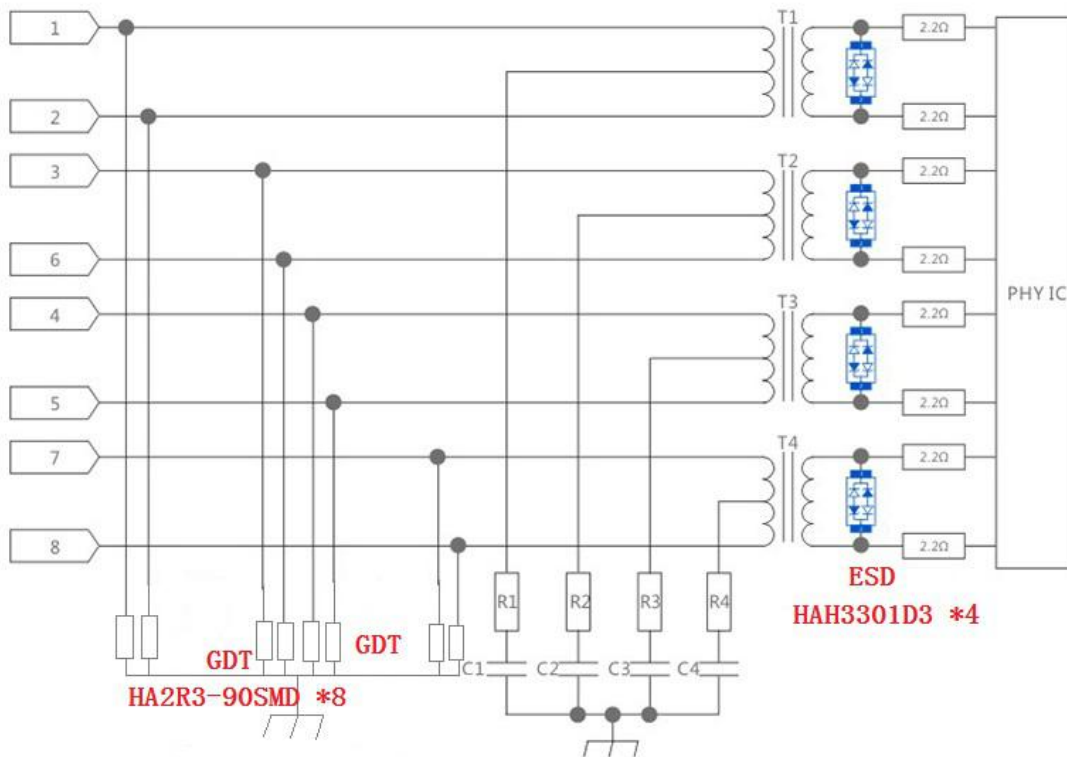


▼RJ45 Solution:

Surge level: 8/20μs CM/DM 2KA



Specification.....

Part Number	VRWM	VBR	Co Typical value	Vc @1A	Ppp 8/20us	Package	ESD Air / Contact
ESD TVS	V	V	pF	V max	W		
HAH3301D3	3.3	4	1	7.0	350	SOD-323	±8kV / ±15kV

Part Number	DC Spark-over Voltage@ 100V/S	Impulse Spark -over Voltage @1KV/μs	Insulation Resistanc e	Impulse discharge current(8/20μs)	AC discharge current (50Hz,1s,10times)	Capacit ance (1MHz)	UL file number
GDT	V	V	GΩ	10 Times	A	PF	√
HA2R3-90SMD	90±20%	≤ 1000	>1	2KA	2	≤1	E505240

We focus on development, production,distribution of GDT,TSS.MOV,TVS,ESD,PTC component.We have laboratories of EMC,aiming to provide total turnkey service of surge/ESD test and circuit PCB improvement.

sales@huaandz.com