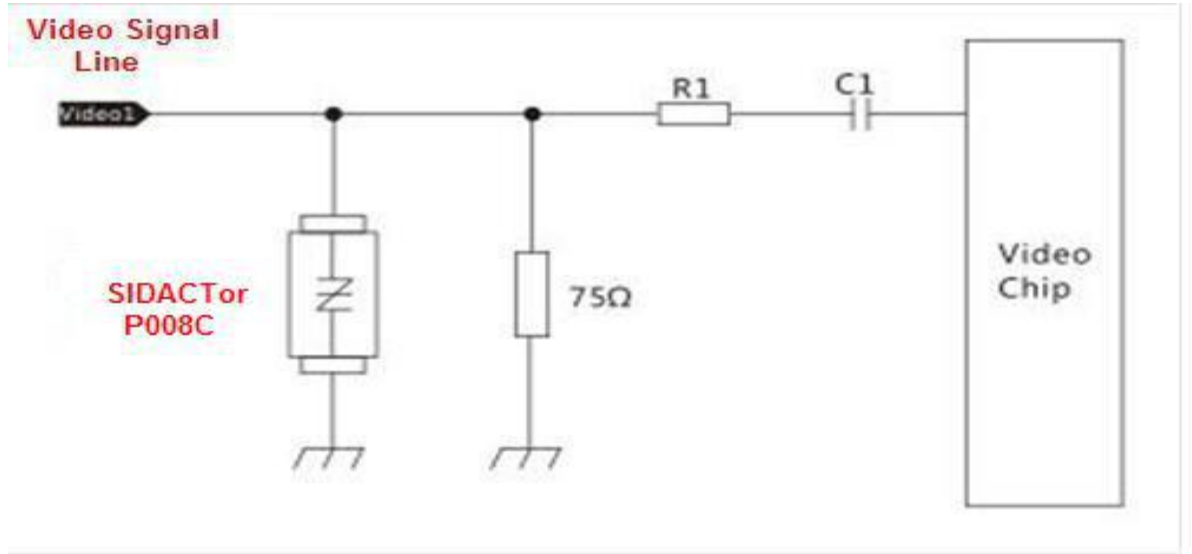


▼Solution Surge level: 10/700  $\mu$ s 6KV



### Specification.....

| Part Number  | V <sub>DRM</sub><br>@I <sub>DRM</sub> =<br>5 $\mu$ A | V <sub>S</sub><br>@100<br>V/ $\mu$ s | I <sub>H</sub>    | I <sub>S</sub>    | I <sub>T</sub>   | V <sub>T</sub><br>@I <sub>T</sub> =2.2Amps | Capacitance<br>@1MHz,2V<br>bias | impulse<br>withstand<br>voltage | Package |
|--------------|--|--------------------------------------|-------------------|-------------------|------------------|--|---------------------------------|---------------------------------|---------|
| SIDACTor     | V <sub>min</sub>                                     | V <sub>max</sub>                     | mA <sub>min</sub> | mA <sub>max</sub> | A <sub>max</sub> | V <sub>max</sub>                           | pF                              | 10/700us                        |         |
| <b>P008C</b> | 6  | 25                                   | 50                | 800               | 2.2              | 4  | 100                             | 6KV                             | SMB     |

Application product(CCTV camera, DVR , STB, Digital Satellite Receiver...etc):



Statement: These solution is only for reference, The final solution will be based on the actual test results, HUAAN LIMITED will have the right of final explanation.

[sales@huaandz.com](mailto:sales@huaandz.com)

[abc0734@126.com](mailto:abc0734@126.com)