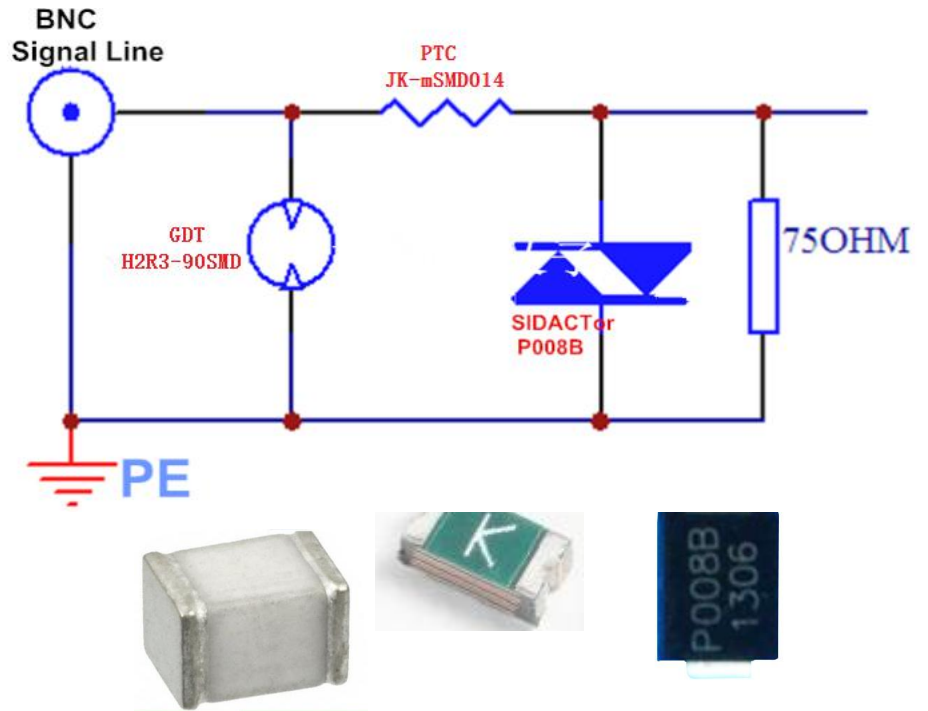


▼Solution4 Surge level: 10/700 μ s 4KV

Surge level
IEC61000-4-5
10/700 μ s: 4KV
8/20 μ s: 1KA
IEC61000-4-2
CONTACT DISCHARGE :8KV
AIR DISCHARGE :15KV



Specification.....

Part Number	DC Spark-over Voltage @ 100V/S	Impulse Spark-over Voltage @100V/ μ s	Impulse Spark-over Voltage @1KV/ μ s	Insulation Resistance	Impulse discharge current(8/20 μ s)	AC discharge current (50Hz, 1s, 10times)	Capacitance (1MHz)
GDT	V	V	V	G Ω	10 Times	A	PF
H2R3-90SMD	90 \pm 20%	<500	<600	>1	1KA	2	\leq 1

Part Number	Vmax	I max	Ih	Rmax	Rmin	Pd
PTC	V	A	A	Ω	Ω	w
JK-mSMD014	60	100	0.14	6	0.65	0.8

Part Number	V_{DRM} @ $I_{DRM}=5\mu A$	V_S @ $100V/\mu s$	I_H	I_S	I_T	V_T @ $I_T=2.2Amps$	Capacitance @ $1MHz, 2V$ bias	Package
SIDCAtor	V_{min}	V_{max}	mA_{min}	mA_{max}	A_{max}	V_{max}	pF	
P008B	6	25	50	800	2.2	4	70	SMB

Application product(BNC Port...etc):



Statement: These solution is only for reference, The final solution will be based on the actual test results, HUAAN LIMITED will have the right of final explanation.

sales@huaandz.com

abc0734@126.com

1

HUAAN LIMITED

www.huaandz.com

Tel:+86-755-27465585